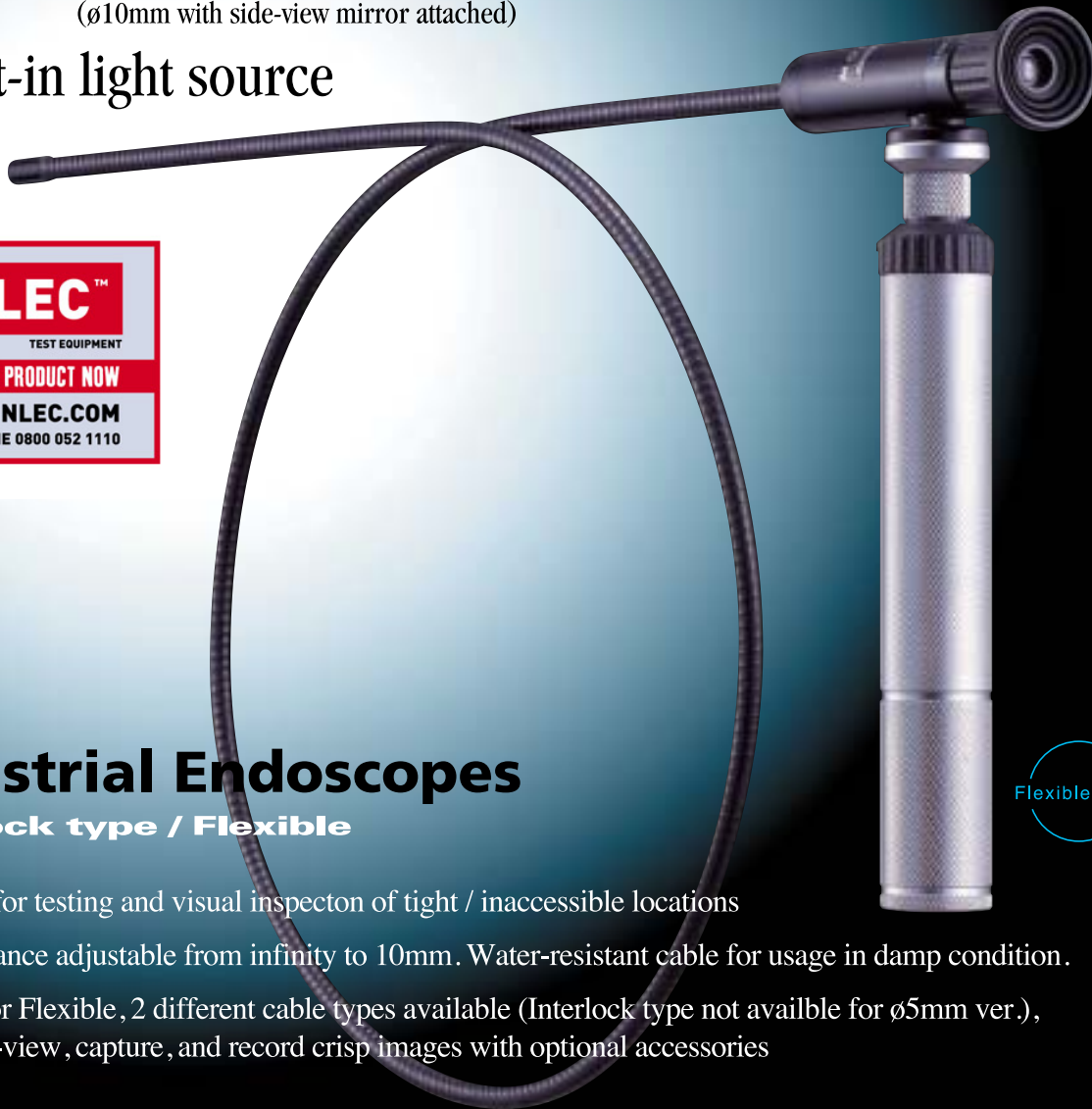


LightScope Industrial Endoscopes



Designed for testing and visual inspection of tight / inaccessible locations

- 19,000 Lux
- Field Angle 60°
- Tip diameter $\varnothing 5\text{mm}$, $\varnothing 8\text{mm}$
($\varnothing 10\text{mm}$ with side-view mirror attached)
- Built-in light source



Flexible Type

Industrial Endoscopes

Interlock type / Flexible

Designed for testing and visual inspection of tight / inaccessible locations

Focus distance adjustable from infinity to 10mm. Water-resistant cable for usage in damp condition.

Interlock or Flexible, 2 different cable types available (Interlock type not available for $\varnothing 5\text{mm}$ ver.), All digital-view, capture, and record crisp images with optional accessories

Main Applications

Automobiles	Engines, Transmissions, Differentials, Air conditioners
Industrial Machinery	Engines, Transmissions, Inside hydraulic pipes
Gas	Inside pipes and exhaust openings
Air & Spacecraft	Turbine blades, Combustion chamber interiors, Rocket engines
Sewers	Inside pipes, Toilet clogs, Other plumbing problems
Petrochemical Plants	Process plumbing, Water supply pipes, Pressure storage tanks,
Vessels	Boiler interiors, Turbine interiors, Diesel engines

Interlock type



Flexible type

Flexible type



Flexibility for insertion in pipes and other locations

Accessory

Light Guide

Effectively send light from lighting system to scope (flexible type)



C-mount Adapter

Adapter for attaching C-mount CCD camera



Side View Adapter (90°)

View pipe inner walls & other surfaces



Lighting System

Bright, stable light source in compact design



Spare bulb

3.5V 0.7A 2.55W



INLEC™
TEST EQUIPMENT

HIRE THIS PRODUCT NOW

WWW.INLEC.COM

FREEPHONE 0800 052 1110

Industrial Endoscopes

LightScope



Standard Package

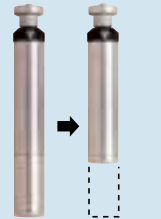
Hard-Case

For scope protection & portability



Battery Handle Lighting

Handle length can be shortened

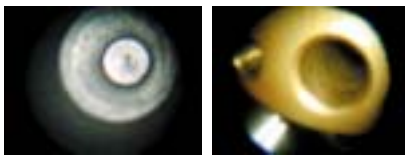


3 x C-cell batteries (long state)
2 x C-cell batteries (short state)

Digital Camera Adapter NEW

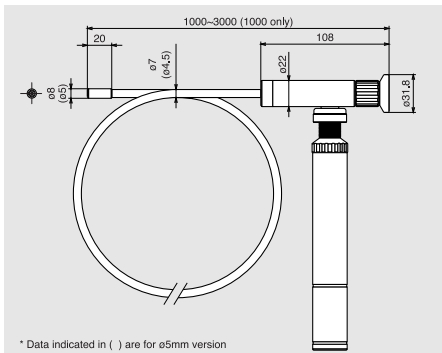


Allows you to connect a wide range of digital cameras to LightScope/BoreScope and to watch, store and file images taken with the camera.



BoreScope

BoreScope
External diameter available from 2.4mm~6.35mm. Clear image and low-cost achieved by using relayed rod lenses. Attachable with Digital Camera Adapter



Category	Type	Interlock				Flexible NEW			
		Plastic		Glass	Plastic		Glass	Plastic	
Fiber material		Plastic		Glass	Plastic		Glass	Plastic	
Model		MSP1 1000III	MSP1 2000III	MSP1 3000III	MSPS 1000III	MSPS 2000III	MSPS 3000III	MSG5 1350III	MSHS 1000III
Number of pixels		3500			10000	3500		10000	7400
Tip diameter		ø 8			ø 8	ø 8		ø 8	ø 5
Fiber diameter		35nm			—	35nm		—	15nm
Lamp		3.5V 0.7A 2.55W							
Power		3 C-cell batteries (Sold separately) [Provides continuous light for 3 hours (when alkaline batteries used)]							
Viewing angle		Direct (Side view optional)							
Angle of view		60°							
Focus distance		10mm to Infinity							
Water resistance		Water-resistant to 1~1.3 atmospheres (1013-1317hPa)							
Working temperature		-20°C ~ +60°C							
Material		SUS Interlock + PVC cover				SUS flexible + PVC cover			
Minimum bend radius		100mm or larger				40mm or larger			
Effective length (Water-resistant case supplied)		1000mm	2000mm	3000mm	1350mm	1000mm	2000mm	3000mm	1350mm

Not for medical applications

Contact us for more information

*Specification and appearance may be modified without notice in order to implement improvements.

INLEC™
TEST EQUIPMENT

HIRE THIS PRODUCT NOW

WWW.INLEC.COM

FREEPHONE 0800 052 1110