

EUROPE'S LARGEST SELECTION OF TEST & MEASUREMENT EQUIPMENT FOR HIRE

**INLEC.COM**

# DATA-SHEET



Nationwide Low Call  
**0333 6000 600**

**WHY BUY**  
WHEN YOU CAN HIRE

# Pressure Test System TP1-40



*-1 to 40 bar / -30 inHg to 600 psi Pneumatic Pressure and Vacuum*



## **FEATURES**

- Dual source of pneumatic pressure and vacuum.
- Fully portable hand operated unit supplied as a complete kit.
- Generating up to 40 bar / 600 psi pressure or 96% vacuum.
- Adjustable stroke to provide over pressure protection.
- Quick fit instruments are available to use with the system including electronic calibrators, digital indicators and analogue gauges.
- The TP1-40 is supplied in a light, high quality carrying case, with adaptors, a set of washers, seals and provision for additional instruments.

*The TP1- 40 Pressure Test System has been introduced to complement an already extensive range of pressure calibration products and can be used for calibration checks on pressure transmitters, pressure switches, indicators, recorders and controllers.*

*Calibration checks can be carried out simply by temporarily shutting off line pressure, selecting the digital indicator or test gauge required and connecting the instrument via the flexible hose and swivel adaptor to the pressure measuring instrument to be checked. The range of adaptors enables connection to most gauge threads.*

***TP1- 40 can be used as a portable Pressure Comparator in conjunction with various pressure indicating devices.***

***This precision unit includes an adjustable over pressure protection system as standard.***

**www.si-pressure.com**

Tel: 0116 231 7500 (UK) Tel: +44 116 231 7500 (Int)  
Fax: 0116 231 7103 (UK) Fax: +44 116 231 7103 (Int)

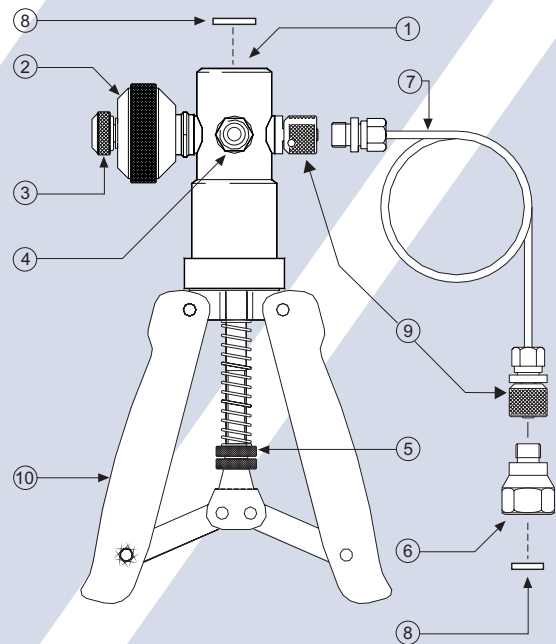
SI Pressure Instruments, Druck Ltd., Fir Tree Lane, Groby, Leics. LE6 0FH UK. sales@si-pressure.com



# TP1 Specifications

## Key:

1. Pressure port - 3/8" BSP Parallel female connection to take master instruments e.g. digital or analogue gauge, PC6 PRO Calibrator (1/4"NPT Female adaptor available).
2. Fine adjustment valve.
3. Pressure release valve.
4. Pressure / Vacuum selector
5. Adjustable stroke for varying maximum pressure output (over pressure protection).
6. BSP or NPT adaptor set
7. Flexible hose to item under test.
8. Nylon seals for BSP adaptors ( see seal kit provided )  
**DO NOT use 'PTFE' tape for sealing with parallel threads**
9. Knurled 'quick-fit' connectors
10. Pump Handles



## Specification

- Output Pressure:** 0 to 40 bar / 0 to 600 psi (Adjustable)
- Output Vacuum:** 96% (0 to -0.960 bar / 0 to -29 in Hg (Adjustable) at 1000 mbar ambient)
- Materials:** Bright nickel plated brass, clear anodised aluminium, Nylon.
- Adjustment:** Fine volumetric pressure / vacuum adjuster.
- Dimensions:** 213mm (L) x 124mm (W) x 63mm (D).
- Weight:** 650 grams.

## Instrument Options:

- Pressure Calibrator (PC6 PRO)**  
**Digital Test Gauge (DTG-2K)**  
**TPG Analogue Gauges**

## Accuracy FS:

- 0.05%, 0.025%**  
**0.2%**  
**1.0%**

## Ordering Codes

- TP1- 40** Hand held pressure test system in rigid carrying case with 1 metre flexible hose and adaptor set
- PC6, PC6-PRO, PC6-IS, PC6-AV** A range of Pressure Calibrators available between -1 and 40 bar / -30 inHg and 600 psi
- DTG-2K** A range of Digital Indicators up to 30 bar (450psi)
- TPG range** A range of analogue gauges between -1 and 40 bar / -30 inHg and 600 psi
- TPK1** Service kit containing a set of seals. 'O' rings, retaining screws and allen key
- LTPA-BSP-QF** Set of 7 BSP 'quick-fit' adaptors
- LTPA-NPT-QF** Set of 6 NPT 'quick-fit' adaptors

[www.si-pressure.com](http://www.si-pressure.com)

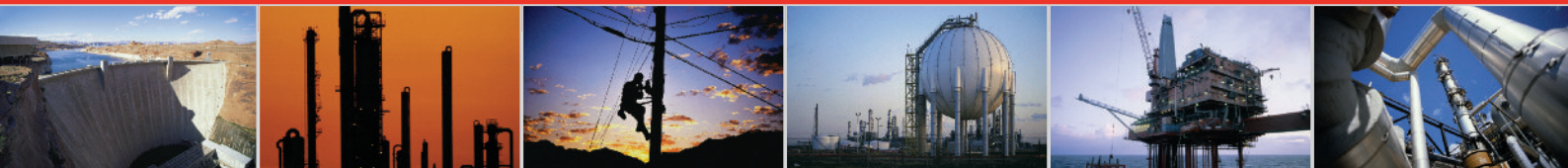
Tel: 0116 231 7500 (UK) Tel: +44 116 231 7500 (Int)  
 Fax: 0116 231 7103 (UK) Fax: +44 116 231 7103 (Int)

SI Pressure Instruments, Druck Ltd., Fir Tree Lane, Groby, Leics. LE6 0FH UK. [sales@si-pressure.com](mailto:sales@si-pressure.com)



31-0267 Iss.6 DIM.5193

# INLEC, supporting you to deliver a world class service, every day, in every sector ...



## OUR COMMITMENT TO YOU

### A wealth of knowledge and experience.

You can take advantage of expert advice to ensure you get the best, most appropriate and cost effective equipment for the job. We supply a wide variety of industries, so if there is another way to do the job or save you time and money we'll pass on the benefit of our experience for free.

### Honest advice, just a phone call away.

If we don't have a particular item, rather than hiring you something that won't do the job, we would rather direct you to an alternative supplier. You will always be provided with full instructions and if you still need help, call our technical team on Nationwide Low Call 0333 6000 600. Our aim is to save you time, frustration and money.

### Top quality equipment from major manufacturers.

With Inlec you'll get the most accurate, reliable and well-maintained equipment available. Prices are regularly reviewed to ensure you always enjoy the best value for money. We have made a significant investment in test equipment so we ensure that it's well packed to minimise damage and delay.

### We really do listen to you.

You won't waste your time contacting Inlec. Every request for equipment is logged and carefully considered. Listening to our customers helps keep our product range up to date and relevant. If you are unhappy about any aspect of our service please let us know so we can put it right.

## YOUR 5 WAY GUARANTEE

### 1 GUARANTEE SAME DAY DESPATCH

We understand why prompt delivery is important to you. So, if we confirm your order before 3pm, you are guaranteed same day despatch.

### 2 OUR PRICE GUARANTEE

Inlec guarantee you real value for money. Our price match policy is simple - if you can hire the same product for less elsewhere, we guarantee to match that price and reduce it by a further 10% of the difference - and still deliver our industry leading technical and customer support.

For full details check our price-match guarantee online

### 3 TOP QUALITY GUARANTEED

All equipment is thoroughly checked prior to dispatch to ensure you receive it in full, safe working order. Your shipment will be securely packed and include manufacturer's instructions, accessories or consumables and a valid calibration certificate where appropriate. In addition, Inlec offer a 24 hour replacement service if you decide the equipment is not suitable for your application\*.

### 4 FRIENDLY, KNOWLEDGEABLE ADVICE GUARANTEED

Inlec are happy to provide you with free advice, from an unbeatable team of experienced, knowledgeable and friendly engineers and hire experts.

### 5 YOUR GUARANTEE OF THE BEST CUSTOMER SERVICE

Throughout your hire we will work hard to ensure you enjoy the very best in support and service from Inlec. We guarantee you won't find better service anywhere in the industry.

\*subject to availability and conditions

## Europe's leading Test Equipment Hire Specialist



LAB NO. 0535



Nationwide Low Call **0333 6000 600**  
Online: **www.inlec.com**

Inlec UK Ellerbeck Way, Stokesley Business Park, Stokesley N Yorkshire TS9 5JZ United Kingdom



CERT. NO. GB93/1773



Accredited Contractor