

EUROPE'S LARGEST SELECTION OF TEST & MEASUREMENT EQUIPMENT FOR HIRE

INLEC.COM

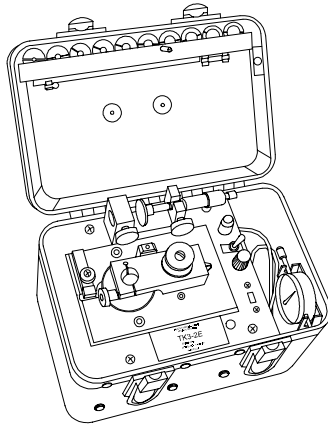
DATA-SHEET



Nationwide Low Call
0333 6000 600

WHY BUY
WHEN YOU CAN HIRE

Specifications and Ordering Information TK3-2 Calibration Instrument



Description

The TK3-2 Calibration Instrument simulates shaft vibration and position for calibrating Bently Nevada monitors. It verifies the operating condition of the monitor readouts as well as the condition of the proximity transducer system. A properly calibrated system means that the monitor readings and transducer inputs are accurate.

A spindle micrometer is used to check the transducer system and position monitor calibration. A probe mounting adapter provided with the TK3-2 holds the probe while the target is moved toward or away from the probe tip in calibrated increments. The output from the Proximitor® Sensor is recorded using a voltmeter.

Vibration monitors are calibrated using the motor-driven wobble plate. A swing-arm holder is located over the wobble plate to hold the proximity probe in place. The holder and probe are adjusted to a position where the desired amount of mechanical vibration is found. The vibration is then measured using a dial micrometer which is supplied with the unit (no oscilloscope is needed).

A vibration monitor's reading can then be compared to the known mechanical vibration signal input. The mechanical vibration signal from the TK3-2 can range from 50 to 254 μm (2 to 10 mils) peak-to-peak.



Specifications

Inputs

Power

Electric: 95 - 125 Vac, 50/60 Hz, 1A minimum.
190 - 250 Vac, 50/60 Hz, 1A minimum.

Air: 90 psi (6.2 bar) maximum.

Wobulator Range

Vibration Amplitude Range: 50 μm to 254 μm (2 to 10 mils) peak-to-peak.

Maximum Speed

Electric: 0 to 10,000 cpm \pm 2,500 cpm.

Air: 0 to 5,000 cpm \pm 1,000 cpm.



Spindle Micrometer Range: 0 - 25.4 mm (0 - 1000 mils).

Target Button and Wobble Plate: AISI 4140 Alloy Steel.

Note: Contact your nearest Bently Nevada Sales Professional for details on special target and wobble plate materials.

Ordering Information

Electric Driven TK3-2 14700-AXX Option Descriptions

A: Scale Units 0 1 English
 0 2 Metric

Air Driven TK3-2 14680-AXX Option Descriptions

A: Scale Units 0 1 English
 0 2 Metric

Physical

Size

Height: 215 mm (8.5 in)

Width: 184 mm (7.25 in)

Depth: 285 mm (11.25 in)

Weight: 5.9 kg (13 lb)

Accessories

107360-01

REBAM® Verification Kit:

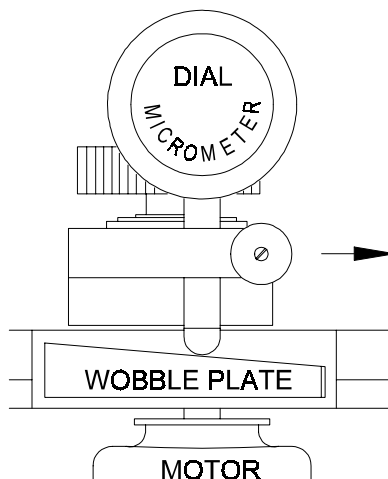
This kit allows you to verify correct operation of the 3300 REBAM® Transducer System.

Kit includes:

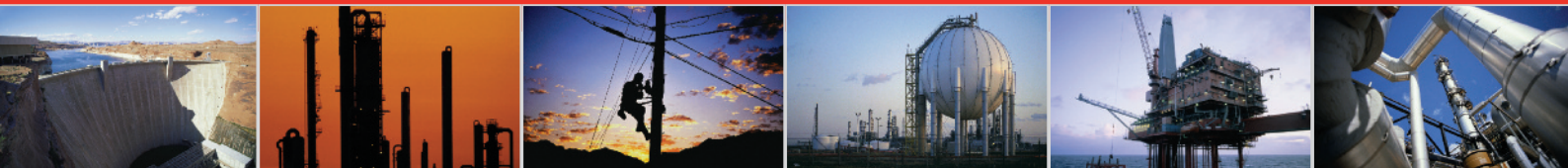
- 1 High resolution digital micrometer
- 1 Adaptive spacer
- 1 AISI E52100 steel target button to simulate the outer ring of a rolling element bearing.

© 1999 Bently Nevada Corporation
® used in this document are registered marks of Bently Nevada Corporation

Diagram



INLEC, supporting you to deliver a world class service, every day, in every sector ...



OUR COMMITMENT TO YOU

A wealth of knowledge and experience.

You can take advantage of expert advice to ensure you get the best, most appropriate and cost effective equipment for the job. We supply a wide variety of industries, so if there is another way to do the job or save you time and money we'll pass on the benefit of our experience for free.

Honest advice, just a phone call away.

If we don't have a particular item, rather than hiring you something that won't do the job, we would rather direct you to an alternative supplier. You will always be provided with full instructions and if you still need help, call our technical team on Nationwide Low Call 0333 6000 600. Our aim is to save you time, frustration and money.

Top quality equipment from major manufacturers.

With Inlec you'll get the most accurate, reliable and well-maintained equipment available. Prices are regularly reviewed to ensure you always enjoy the best value for money. We have made a significant investment in test equipment so we ensure that it's well packed to minimise damage and delay.

We really do listen to you.

You won't waste your time contacting Inlec. Every request for equipment is logged and carefully considered. Listening to our customers helps keep our product range up to date and relevant. If you are unhappy about any aspect of our service please let us know so we can put it right.

YOUR 5 WAY GUARANTEE

1 GUARANTEE SAME DAY DESPATCH

We understand why prompt delivery is important to you. So, if we confirm your order before 3pm, you are guaranteed same day despatch.

2 OUR PRICE GUARANTEE

Inlec guarantee you real value for money. Our price match policy is simple - if you can hire the same product for less elsewhere, we guarantee to match that price and reduce it by a further 10% of the difference - and still deliver our industry leading technical and customer support.

For full details check our price-match guarantee online

3 TOP QUALITY GUARANTEED

All equipment is thoroughly checked prior to dispatch to ensure you receive it in full, safe working order. Your shipment will be securely packed and include manufacturer's instructions, accessories or consumables and a valid calibration certificate where appropriate. In addition, Inlec offer a 24 hour replacement service if you decide the equipment is not suitable for your application*.

4 FRIENDLY, KNOWLEDGEABLE ADVICE GUARANTEED

Inlec are happy to provide you with free advice, from an unbeatable team of experienced, knowledgeable and friendly engineers and hire experts.

5 YOUR GUARANTEE OF THE BEST CUSTOMER SERVICE

Throughout your hire we will work hard to ensure you enjoy the very best in support and service from Inlec. We guarantee you won't find better service anywhere in the industry.

*subject to availability and conditions

Europe's leading Test Equipment Hire Specialist



LAB NO. 0535



Nationwide Low Call **0333 6000 600**
Online: **www.inlec.com**

Inlec UK Ellerbeck Way, Stokesley Business Park, Stokesley N Yorkshire TS9 5JZ United Kingdom



CERT. NO. GB93/1773



Accredited Contractor